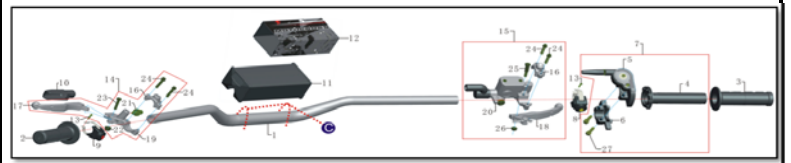


## XZ250R (XB-37)

### HANDLE BAR ASSY.

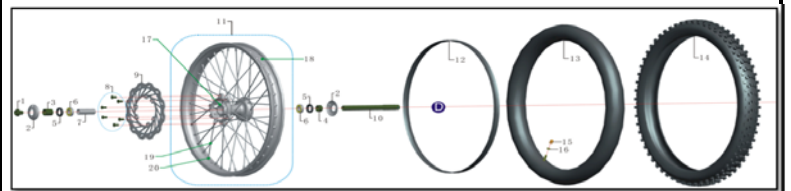
Ref. No.	PART No.	DESCRIPTION	QTY	Order Qty
1	03001007205000	handel bar, tapered alloy	1	0
2	03007101010400	grip, silicone, LH	1	0
3	03008101010400	grip, silicone, RH	1	0
4	03010010110001-1	insert, throttle	1	0
5	03010010110001-2	housing, throttle, top	1	0
6	03010010110001-3	housing, throttle, bottom	1	0
7	03010010110001	housing, throttle assy.	1	0
8	05024011000000	star switch	1	0
9	05025011000000	stop switch	1	0
10	06100005014100	cover, adjuster, clutch	1	0
11	10011000500000	foam padding, crossbar	1	0
12	10010014020100	cover, foam padding	1	0
13	GB/T70.2M4*14	bolt M4*14	2	0
14	03011030207000	clutch lever assy.	1	0
15	03030050630303-1	master cylinder assy., front	1	0
16	03011030207000-1	bracket, lever housing, top	1	0
17	03011030207000-2	lever, clutch	1	0
18	03030050630303-2	lever, brake	1	0
19	03011030207000-3	bracket, lever housing, bottom	1	0
20	03030050630303-3	master cylinder, front (Unavailable)	1	0
21	03011030207000-4	adjuster, lever (Unavailable)	1	0
22	GB/T889M6	nut, locking M6	1	0
23	GB/T5783M6*25	bolt M6*25	1	0
24	GB/T5787M6*25	bolt, flanged M6*25	4	0
25	03030050630303-4	bolt, brake lever (Unavailable)	1	0
26	GB/T889M6	nut, locking M6	1	0
27	GB/T70.1M6*25	bolt M6*25	2	0



**CROSSFIRE**  
MOTORCYCLES

### FRONT WHEEL ASSY.

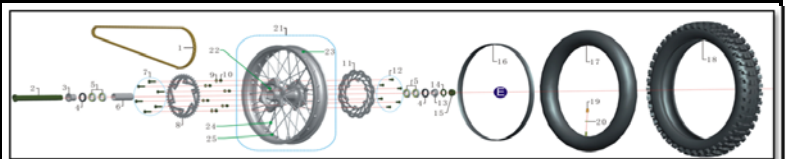
Ref. No.	PART No.	DESCRIPTION	QTY	Order Qty
1	12201235281200	bolt, flanged M16*18*1.5*Φ29	1	0
2	06100054011200	protector, seal, front	2	0
3	09010208220000	spacer, axle, Φ20*Φ26*29.5 ,LH	1	0
4	09010207220000	spacer, axle, Φ20*Φ26*15, RH	1	0
5	12160101910000	seal, dust 25*40*7	2	0
6	12070010016000	bearing, rim, front 6904Z	2	0
7	04006202040131-1	spacer, bearing Φ22*Φ20.5*65	1	0
8	12202105374100	bolt M8*16	6	0
9	03032060406000	disc, brake, front Φ240	1	0
10	09004003112001	axle, wheel, front Φ25*Φ20*224	1	0
11	04006202040131	rim assy. front, alloy 1.60x21"	1	0
11		rim assy. front, steel, 1.60x21"	1	0
11		rim assy. front, alloy, 3.0x17"	1	0
12	04017008020000	inner tube protector band 21"	1	0
13	04016010020000	inner tube 21"	1	0
13		inner tube 130/70-17	1	0
14	04015101002010	tire, front, knobby, 80/100-21	1	0
14		tire, front, motard, 130/70-17	1	0
14		tire, front, motard, 110/70-17	1	0
15	04018204000000	cap, air valve, alloy	1	0
16	GB/T6170 M8	nut m8	1	0
17	04010020220040	hub, front	1	0
18	04010010220130	rim, front 21", steel	1	0
18		rim, front 21", alloy	1	0
19	04010040210010	spokes	36	0
21	04010050210010	nut, spokes	36	0



**CROSSFIRE**  
MOTORCYCLES

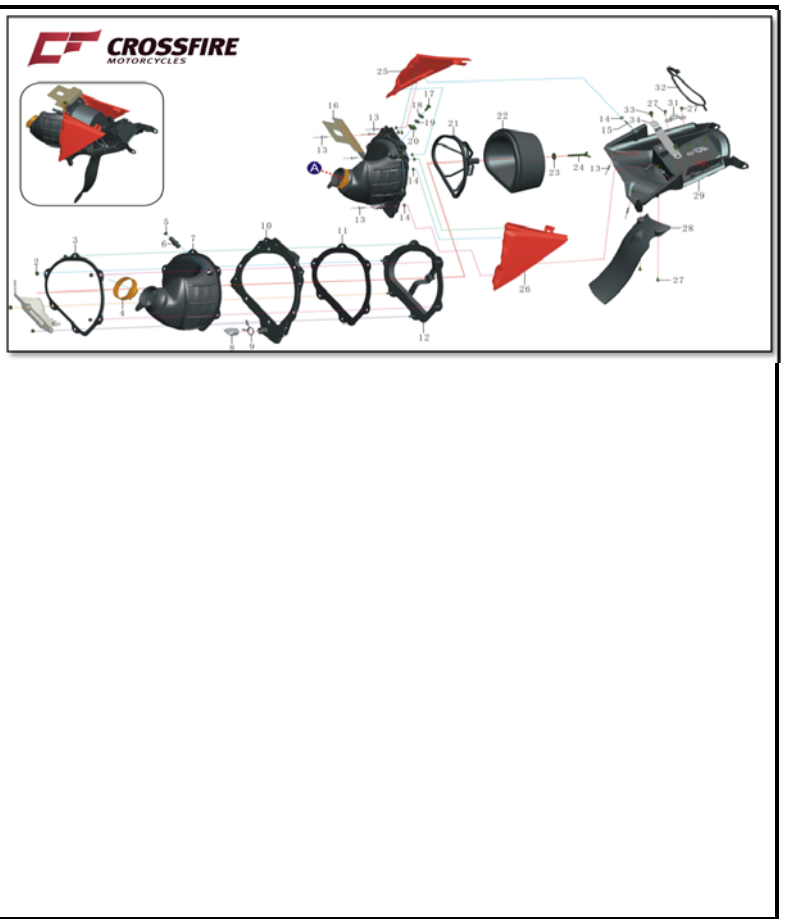
### REAR WHEEL ASSY.

Ref. No.	PART No.	DESCRIPTION	QTY	Order Qty
1	04020401430100	chain 520-110L	1	0
2	09006002112001	axle, wheel, Φ25*242*M24*1.5	1	0
3	09010209220000	spacer, axle, Φ25.5*Φ40*22, LH	1	0
4	12160101010000	seal, dust 30-42-8-3	2	0
5	12070010017000	bearing, rim, rear 6905Z	4	0
6	04007202040212-1	spacer, bearing Φ23*Φ25.5*93.5	1	0
7	GB/T70.3 M8*35	bolt M8*35	6	0
8	04021410040200	sprocket, rear 520-42T/ Φ125*Φ148.5	1	0
9	GB/97Φ8	flat washer Φ8	6	0
10	GB/T889M8	nut-flanged, lock M8	6	0
11	03033060406000	disc, brake, rear Φ240	1	0
12	12202105374100	bolt M8*16	6	0
13	09010203220000	spacer, axle, Φ25.5*Φ40*13, RH	1	0
14	12201700201200	flat washer Φ25*Φ38*2	1	0
15	12203800091200	nut, flanged, locking M24	1	0
16	04017006020000	inner tube protector band, 18"	1	0
17	04016020020000	inner tube 18"	1	0
17		inner tube 130/70-17	1	0
18	04015102002000	tire, rear, knobby, 110/90-18	1	0
18		tire, rear, motard, 130/70-17	1	0
18		tire, rear, motard, 130/70-17	1	0
19	04018204000000	cap, air valve, alloy	1	0
20	GB/T6170 M8	nut m8	1	0
21	04007202040212	rim assy. rear, alloy, 2.15x18"	1	0
21		rim assy. rear, steel, 2.15x18"	1	0
21		rim assy. rear, alloy, 3.5x17"	1	0
22	04010030220240	hub, rear	1	0
23	04010010220210	rim, rear, steel 18"	1	0
23		rim, rear, alloy 18"	1	0
24	04010040210020	spokes	36	0
25	04010050210010	nut, spokes	36	0

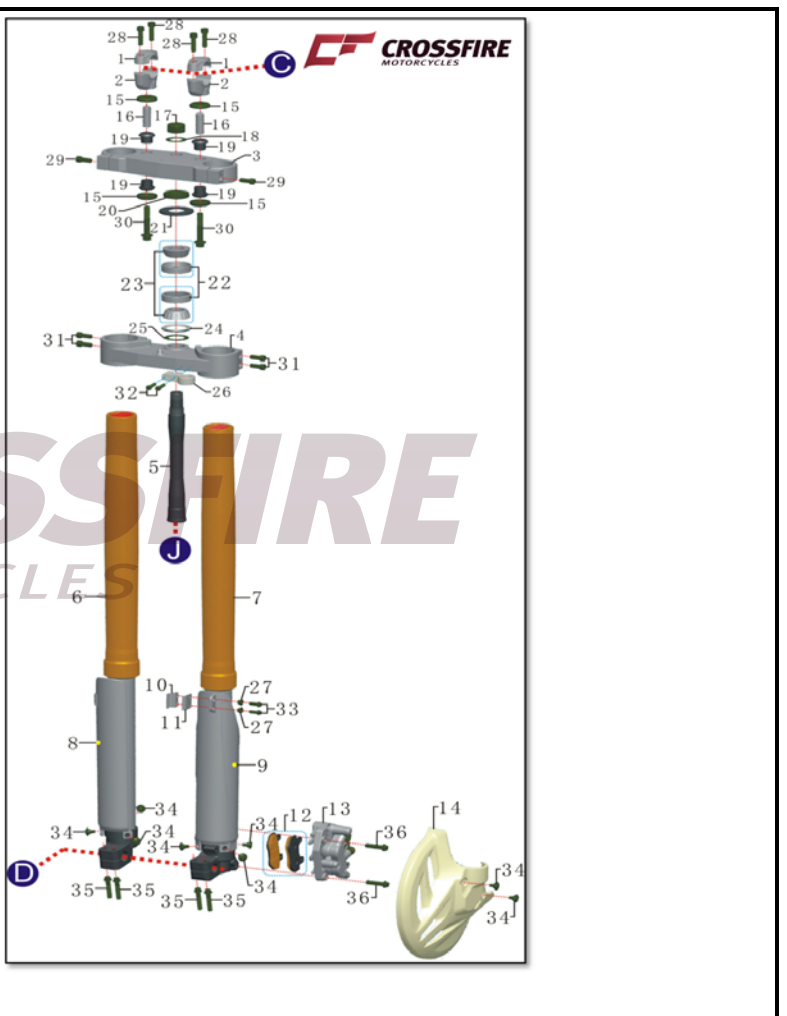


**CROSSFIRE**  
MOTORCYCLES

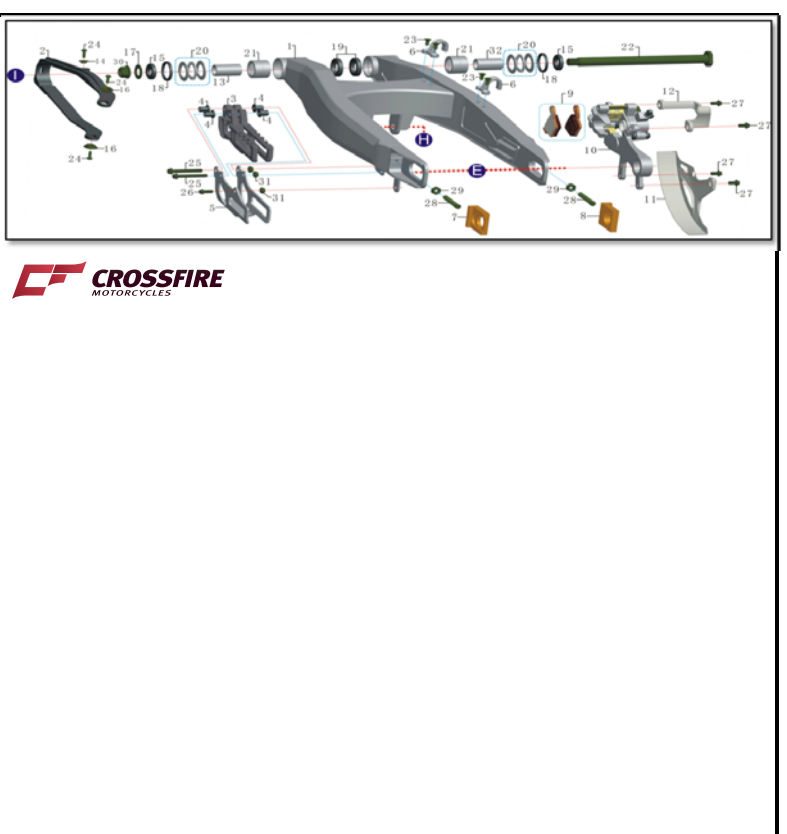
AIR FILTER ASSY.						
Ref. No.	PART No.	DESCRIPTION	QTY	Order Qty		
1	07091221321000	heat shield	1	0		
2	GB/T6170M5	washer M5	6	0		
3	07039221101000	plate, duct fitting	1	0		
4	12300320200000	clamp, duct	1	0		
5	06100056014100	cap,air intake pipes	1	0		
6	02015031110000	air intake pipes	1	0		
7	02011221110001	duct, funnel	1	0		
8	02014031110000	drain, air filter	1	0		
9	12300110500200	clamp, drain pipe	1	0		
10	02005221110001	dampner, air filter,front	1	0		
11	06100021024100	seal, dust, air filter	1	0		
12	02012221110001	holder, filter element,outer	1	0		
13	12090210051300	rivot 5 x 10	9	0		
14	GB/97Φ5	flat washer Φ5	11	0		
15	12090210061300	rivot 5 x 13	2	0		
16	06100057014100	guard ,rubber	1	0		
17	GB/T70.2M6*16	bolt M6 x 16	3	0		
18	GB/97Φ6	flat washer Φ6	1	0		
19	12201702501200	washer Φ8.5 x Φ22 x 4	1	0		
20	12200600371200	nut M6	1	0		
21	02012221110000	holder, filter element,inner	1	0		
22	02010221110000	element, air filter	1	0		
23	GB/96Φ6	flat washer Φ6	1	0		
24	12201401171200	bolt M6*55	1	0		
25	06031221030000	fairing, frame, RH	1	0		
26	06030221030000	fairing, frame, LH	1	0		
27	GB/T845 ST4.8*16	bolt ST4.8*16	4	0		
28	06042011020100	mud flap	1	0		
29	02005221110000	cover, air filter, bottom	1	0		
30	07080221101001	bracket, battery holder B	1	0		
31	07080221101000	bracket, battery holder A	1	0		
32	06100046014100	battery sling	1	0		
33	GB/T845 ST4.8*16	bolt ST4.8*16	4	0		
34	07105221101000	bracket, battery, air filter,bottom	1	0		



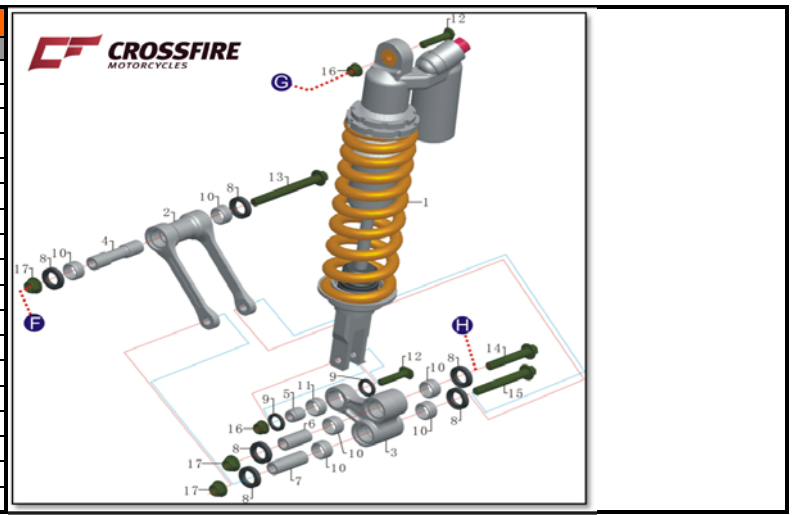
SUSPENSION, FRONT						
Ref. No.	PART No.	DESCRIPTION	QTY	Order Qty		
1	03004022203030	riser, handle bar, top	2	0		
2	03005022203032	riser, handle bar, bottom	2	0		
3	03002361103050	triple clamp, top	1	0		
4	03003361203050	triple clamp, bottom	1	0		
5	03006220011000	steering stem	1	0		
6	04008122704010	adjus. Inver. Xmotos T7 Series (S), RH	1	0		
7		adjus. Inver. Xmotos T7 Series (S), LH	1	0		
6		adjus. Inver. Xmotos T8 Series (S), RH	1	0		
7		adjus. Inver. Xmotos T8 Series (S), LH	1	0		
8	04005102060000	guard, fork, RH (protector)	1	0		
9	04004102060000	guard, fork, LH (protector)	1	0		
10	06100010043200	bracket, hose, bottom inner	1	0		
11	06100010043201	bracket, hose, bottom outer	1	0		
12	03030050630303-5	brake pads, front	2	0		
13	03030050630303-6	caliper, brake, front	1	0		
14	06100049011200	guard, disc brake, front (protector)	1	0		
15	07070191118010	washer	4	0		
16	09011111220000	spacer Φ10*Φ14*40	2	0		
17	12200701171600	nut, cap, steering stem M22	1	0		
18	12201700101300	flat washer Φ36*Φ22.5*0.5	1	0		
19	06100037014100	buffer insert, rubber	4	0		
20	12201901571300	locking nut M25*1	1	0		
21	12201702201200	seal, dust, top, steering stem	1	0		
22	12070040006000	bearing race	2	0		
23		bearing 320/28	2	0		
24	12201702301200	seal, dust, bottom, steering stem	1	0		
25	12201702001300	flat washer Φ28.5*Φ48*0.8	1	0		
26	06100025032100	bracket, brake hose, top	1	0		
27	09011083220000	spacer Φ6.5*Φ9*Φ13*6.5	2	0		
28	GB/T70.1M8*25	bolt M8*25	4	0		
29	GB/T70.1M8*25	bolt M8*25	2	0		
30	GB/T5787M10*60	bolt, flanged M10*60	2	0		
31	GB/T70.1M8*25	bolt M8*25	4	0		
32	GB/T5787M6*30	bolt, flanged M6*30	2	0		
33	GB/T5787M6*16	bolt, flanged M6*16	2	0		
34	12202100274200	bolt Φ10*4*M6*8	8	0		
35	GB/T5787M8*40	bolt, flanged M8*40	4	0		
36	GB/T5787M8*40	bolt, flanged M8*40	2	0		



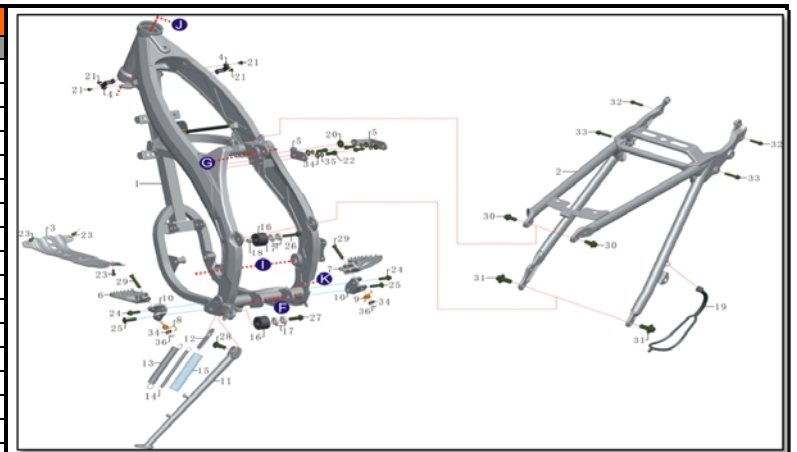
SWING ARM ASSY.						
Ref. No.	PART No.	DESCRIPTION	QTY	Order Qty		
1	07003221102000	swing arm, rear, steel	1	0		
2	06100001065100	guide, chain	1	0		
3	06100006025200	chain guide insert, rubber	1	0		
4	09011094220000	spacer Φ6.5*Φ10*Φ15*15.5	4	0		
5	07029221210000	plate, chain guide	1	0		
6	06100030021200	bracket, brake hose	2	0		
7	09017113040100	adjuster, wheel, LH	1	0		
8	09017113040200	adjuster, wheel, RH	1	0		
9	03031051410301-1	brake pads, rear	2	0		
10	03031051410301-2	caliper, brake, rear	1	0		
11	06100050011200	guard, disc, rear (protector)	1	0		
12	06100051011200	guard, caliper, rear (protector)	1	0		
13	09012024110000	spacer Φ17.2*Φ22*53.5	1	0		
14	09011085210000	spacer Φ7*Φ9*Φ15*4	2	0		
15	09011099220000	spacer Φ17*Φ30*6	2	0		
16	12202600111100	washer, oval	2	0		
17	12201701301200	flat washer Φ15*Φ27*1.5	1	0		
18	12160101610000	seal, dust 30*37*4	2	0		
19	12160101210000	seal, dust 22*35*7	2	0		
20	12070060001000	bearing 22*36*6	2	0		
21	12070070016000	bearing NK22/26	2	0		
22	09006001112000	bolt Φ17*230*M14*1.5	1	0		
23	GB/T819M5*12	bolt M5*12	4	0		
24	GB/T818M5*12	bolt M5*12	3	0		
25	GB/T5787M6*50	bolt, flanged M6*50	2	0		
26	GB/T5787M6*16	bolt, flanged M6*16	1	0		
27	GB/T5787M6*12	bolt, flanged M6*12	4	0		
28	12200206071200	rear jack bolts M8*50	2	0		
29	12020110040712	nut M8	2	0		
30	GB/T6187M14	nut, flanged, locking M14	1	0		
31	GB/T889M6	nut, locking M6	3	0		
32	09012025110000	spacer Φ17.2*Φ22*43.5	1	0		



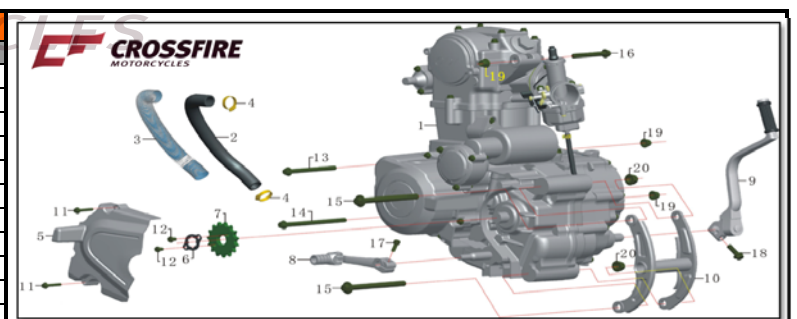
REAR SHOCK AND LINKAGE ASSY.						
Ref. No.	PART No.	DESCRIPTION	QTY	Order Qty		
1	04003219202010	rear shock, T8 Series (Z)	1	0		
1		rear shock, T7 Series (S)	1	0		
2	07028221210000	tie rod, suspension	1	0		
3	07031221210000	linkage, suspension	1	0		
4	09012014110000	spacer $\Phi 12.2 \times \Phi 20 \times 82.5$	1	0		
5	09011108210000	spacer $\Phi 10.1 \times \Phi 17.5 \times \Phi 19 \times 20$	1	0		
6	09012012110000	spacer $\Phi 12.2 \times \Phi 20 \times 42$	1	0		
7	09012013110000	spacer $\Phi 12.2 \times \Phi 20 \times 55$	1	0		
8	12160100110000	seal, dust 20*32*5	6	0		
9	12160100710000	seal, dust 17.5*26*3	2	0		
10	12070070013000	bearing HK2014	6	0		
11	12070070015000	bearing HK2013	1	0		
12	12202215674200	bolt M10*45	2	0		
13	GB/T5787M12*115	bolt, flanged M12*115	1	0		
14	GB/T5787M12*70	bolt, flanged M12*70	1	0		
15	GB/T5787M12*95	bolt, flanged M12*95	1	0		
16	GB/T6187M10	nut, flanged, locking M10	2	0		
17	GB/T6187M12	nut, flanged, locking M12	3	0		



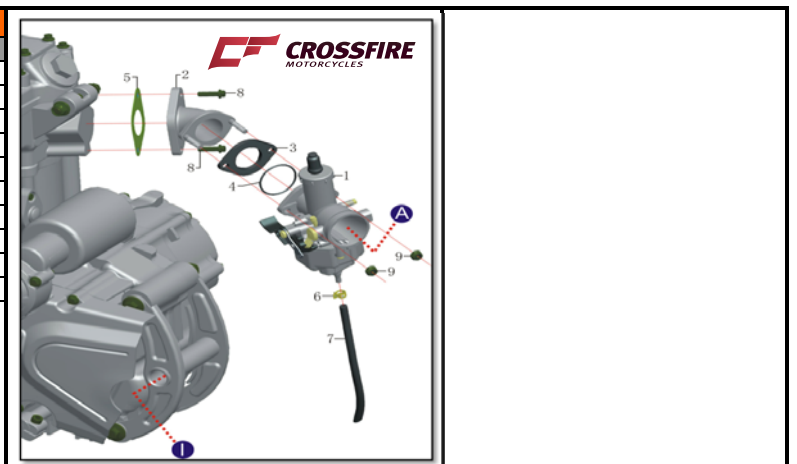
FRAME & SUB-FRAME ASSY.						
Ref. No.	PART No.	DESCRIPTION	QTY	Order Qty		
1	07001221102000	frame	1	0		
2	07002221102000	sub-frame	1	0		
3	07035221210000	engine skid plate (protector)	1	0		
4	06100025022100	bracket, cables, wires	2	0		
5	07033219102000	bracket, engine, top	2	0		
6	07019081102000	foot rest, LH	1	0		
7	07020081102000	foot rest, RH	1	0		
8	09015203120000	spring, foot rest, LH	1	0		
9		spring, foot rest, RH	1	0		
10	07008081102000	bracket, foot rest	2	0		
11	07006221112000	kick stand	1	0		
12	07030031112000	bracket, spring, kick stand	1	0		
13	09015106110000	main kick stand spring	1	0		
14	09015105110000	auxiliary kick stand spring	1	0		
15	07006221112000-1	cover, spring	1	0		
16	06100008014101	roller, chain	2	0		
17	12070010001000	bearing 608Z	4	0		
18	09011003210000	spacer $\Phi 8 \times \Phi 12 \times 10$	1	0		
19	06100046014100	slings, kickstand, rubber	1	0		
20	12201702501200	washer $\Phi 8.5 \times \Phi 22 \times 4$	1	0		
21	GB/T818M5*10	bolt M5*10	4	0		
22	GB/T70.1M8*20	bolt M8*20	4	0		
23	GB/T5787M6*16	bolt-flanged M6*16	3	0		
24	GB/T5787M8*30	bolt, flanged M8*30	2	0		
25	GB/T70.3 M8*30	bolt, M8*30	2	0		
26	GB/T5787M8*40	bolt, flanged M8*40	1	0		
27	GB/T5787M8*30	bolt, flanged M8*30	1	0		
28	12201015271200	bolt M10*25	1	0		
29	12080110011200	pin, rod $\Phi 8 \times 40$	2	0		
30	GB/T5787M8*16	bolt, flanged M8*16	2	0		
31	GB/T5787M10*20	bolt, flanged M10*20	2	0		
32	GB/T5787M6*20	bolt, flanged M6*20	2	0		
33	GB/T5787M6*25	bolt, flanged M6*25	2	0		
34	GB/97 $\Phi 8$	flat washer $\Phi 8$	6	0		
35	GB/T93 $\Phi 8$	lock washer $\Phi 8$	4	0		
36	12080210521200	cotter pin	2	0		



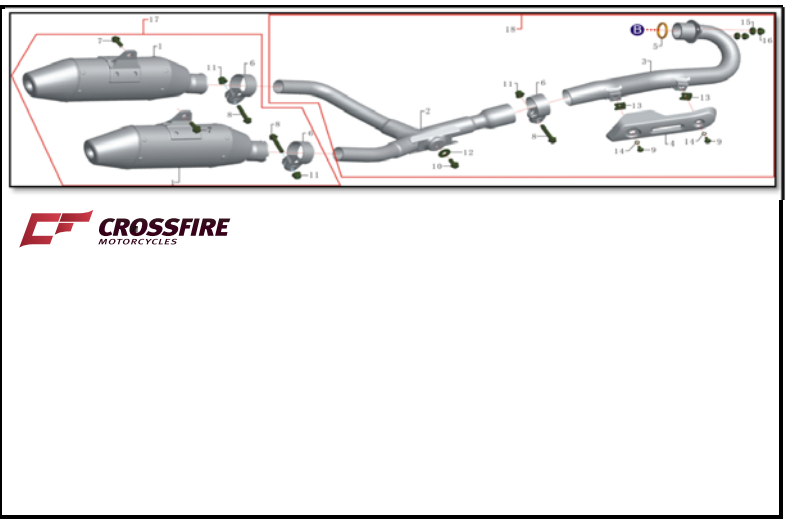
ENGINE ASSY.						
Ref. No.	PART No.	DESCRIPTION	QTY	Order Qty		
1	010110015340302	engine CB250CC	1	0		
2	010110015340302-1	hose, radiator	1	0		
3	010110015340302-2	spring, hose	1	0		
4	010110015340302-3	clamp, hose 12-22	2	0		
5	20031501040100	cover, chain	1	0		
6	20082304010100	locking washer, sprocket	1	0		
7	20082203002100	sprocket, engine 520-13T	1	0		
8	02028202040000	lever, gear shift, alloy	1	0		
9	02025101020000	lever, kick start	1	0		
10	07087221102000	bracket, engine, rear, lower	1	0		
11	GB/T5787M6*20	bolt, flanged M6*20	2	0		
12	GB/T5783M6*8	bolt M6*8	2	0		
13	GB/T5787M8*95	bolt, flanged M8*95	1	0		
14	GB/T5787M8*130	bolt, flanged M8*130	1	0		
15	GB/T5787M10*115	bolt, flanged M10*115	2	0		
16	GB/T5787M8*65	bolt, flanged M8*65	1	0		
17	GB/T70.1M6*16	bolt M6*16	1	0		
18	GB/T5787M8*25	bolt, flanged M8*25	1	0		
19	GB/T6187M8	nut, flanged, locking M8	3	0		
20	GB/T6187M10	nut, flanged, locking M10	2	0		



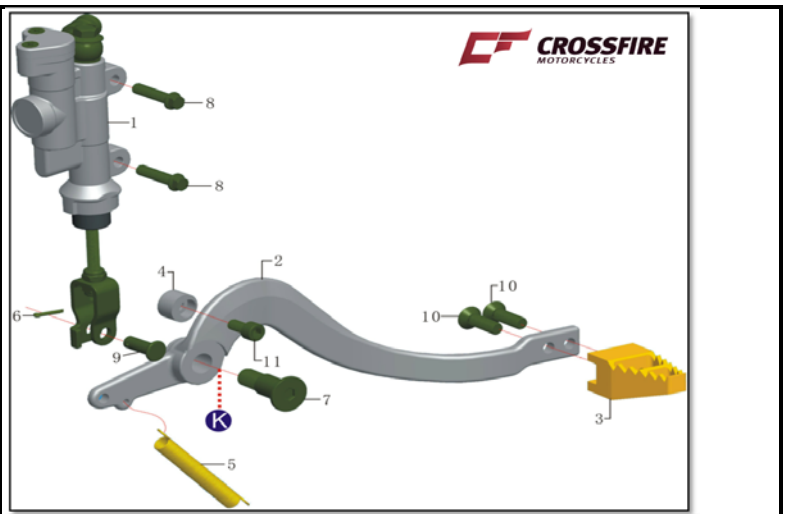
CARBURETOR ASSY.						
Ref. No.	PART No.	DESCRIPTION	QTY	Order Qty		
1	02024010800300	carburetor (Kunfu)	1	0		
1		carburetor (Mikuni)	1	0		
2	010110015340302-4	manifold, air intake	1	0		
3	20012301040100	spacer, (composite plastic)	1	0		
4	02024010800300-1	O-ring, carburetor, (rubber)	1	0		
5	20012401040100	gasket, carburetor	1	0		
6	12300110100100	clamp, hose $\Phi 6$	1	0		
7	06100029014100	hose, overflow	1	0		
8	GB/T5787M6*20	bolt, flanged M6*20	2	0		
9	GB/T889M6	nut, locking M6	2	0		



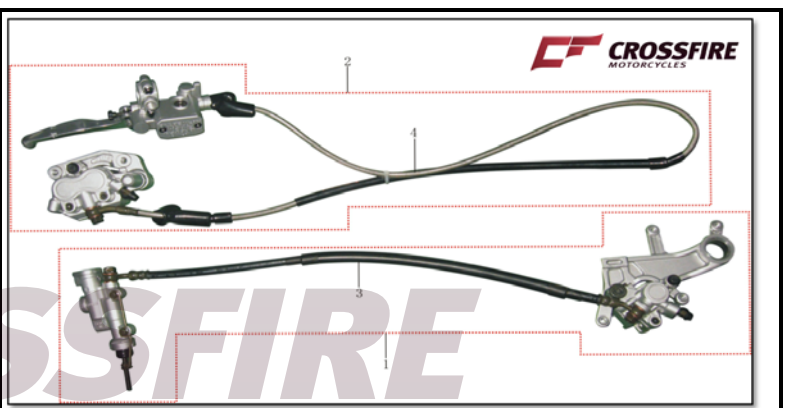
EXHAUST ASSY. (DUAL)						
Ref. No.	PART No.	DESCRIPTION	图 号	Qty.	Order Qty	
1	02003220350100-1	muffler, LH	图号/XB-37/图号/图号/图号	1	0	
1A		muffler, RH		1	0	
2	02002220240100-1	muffler pipe, splitter	图号 1	1	0	
3	02002220240100-2	muffler pipe 2	图号 2	1	0	
4	02035010030100	shield, exhaust	图号图号/37图号/图号	1	0	
5	02017002000000	seal, exhaust	图号/图号CB图号/图号	1	0	
6	02002220240100-3	clamp	图号/图号图号	3	0	
7	GB/T5787M8*20	bolt, flanged M8*20	图号图号图号M8*20	2	0	
8	GB/T5787M8*35	bolt, flanged M8*35	图号图号图号M8*35	3	0	
9	GB/T70.2M6*12	bolt M6*12	图号图号图号M6*12	2	0	
10	GB/T5787M8*16	bolt, flanged M8*16	图号图号图号M8*16	1	0	
11	GB/T6187M8	nut, flanged, locking M8	图号图号图号M8	3	0	
12	GB/96Φ8	flat washer Φ8	图号 Φ8	1	0	
13	12200600371200	nut M6	图号图号/M6图号/图号	2	0	
14	GB/T93Φ6	lock washer Φ6	图号 Φ6	2	0	
15	GB/T6170M8	nut M8	图号图号M8	2	0	
16	GB/T802M8	nut M8	图号图号M8	2	0	
17	02003220350100	muffler assy.	图号/XB-37/图号图号图号	1	0	
18	02002220240100	muffler pipe assy.	图号/XB-370/图号图号图号	1	0	



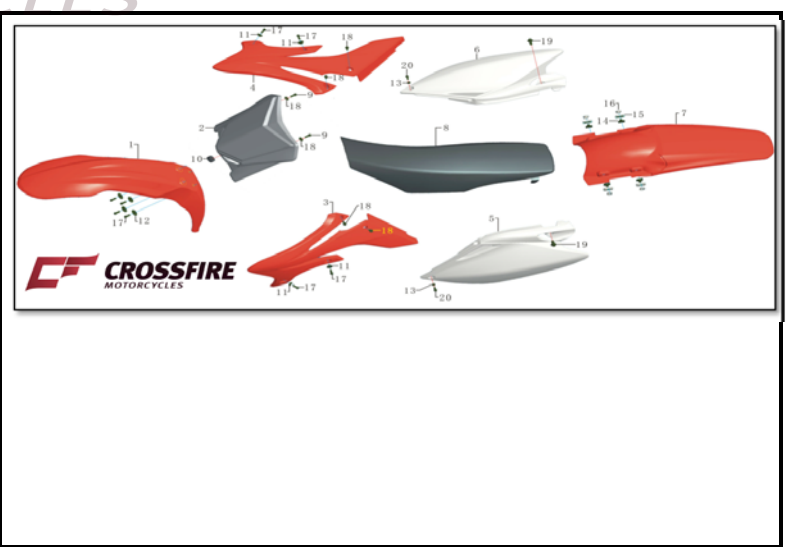
REAR BRAKE ASSY.						
Ref. No.	PART No.	DESCRIPTION	图 号	Qty.	Order Qty	
1	03031051410301-3	master cylinder, rear	图号图号	1	0	
2	07005220102000	lever, brake, rear	图号图号/图号	1	0	
3	07032031211000	brake lever tip (alloy)	图号图号/XB-31图号/图号/图号	1	0	
4	08225080010000	adjuster, Φ6.2*Φ10.5*Φ16*9	图号图号图号/ Φ6.2*Φ10.5*Φ16*9	1	0	
5	09015102120000	spring, bracket, brake, rear	图号/图号图号/图号	1	0	
6	12080210521200	cotter pin Φ2	图号/GB/T91 2*25	1	0	
7	12202015474200	bolt M10*35	图号图号图号/FB M10*35	1	0	
8	GB/T5787M6*25	bolt-flanged M6*25	图号图号图号M6*25	2	0	
9	12080110031200	pin, lever, brake	图号/GB/T882 6*16	1	0	
10	GB/T70.3 M6*16	bolt, M6*16	图号图号图号 M6*16	2	0	
11	GB/T70.1M6*12	bolt M6*12	图号图号图号 M6*12	1	0	



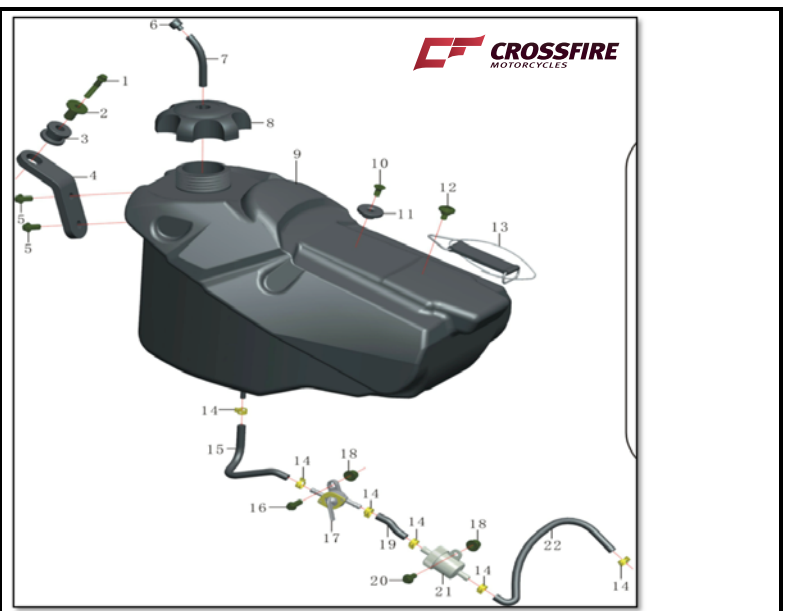
BRAKE ASSY.						
Ref. No.	PART No.	DESCRIPTION	图 号	Qty.	Order Qty	
1	03031051410301	brake assy., rear	图号图号图号/CRF/590图号图号	1	0	
2	03030050630303	brake assy., front	图号图号图号/CRF/1280图号图号	1	0	
3	03031051410301-4	hose, brake, rear	图号图号图号=590mm	1	0	
4	03030050630303-7	hose, brake, front	图号图号图号=1280mm	1	0	



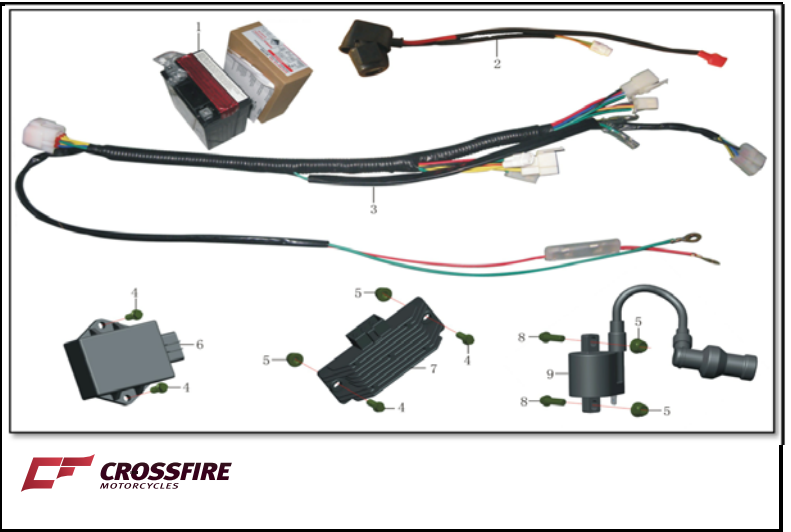
FENDER AND SEAT ASSY.						
Ref. No.	PART No.	DESCRIPTION	图 号	Qty.	Order Qty	
1	06012221030000	fender, front	图号图号/XB-37/PP图号图号	1	0	
2	06011221020000	number plate, front	图号图号/XB-37/PP图号图号	1	0	
3	06013221030000	fairing, fuel tank, LH	图号图号/XB-37/PP图号图号	1	0	
4	06014221030000	fairing, fuel tank, RH	图号图号/XB-37/PP图号图号	1	0	
5	06015221020000	fairing, rear, LH	图号图号/XB-37/PP图号图号	1	0	
6	06016221020000	fairing, rear, RH	图号图号/XB-37/PP图号图号	1	0	
7	06018221030000	fender, rear	图号图号/XB-37/PP图号图号	1	0	
8	06001222010000	seat	图号/XB-37/图号图号/图号图号	1	0	
9	GB/T5787M6*16	bolt-flanged M6*16	图号图号图号M6*16	2	0	
10	06100055014100	pads, rubber, number plate, front	图号图号图号/37图号/图号图号	1	0	
11	09011103220000	spacer Φ7*Φ12.5*Φ18*5.2	图号 Φ7*Φ12.5*Φ18*5.2图号图号	4	0	
12	09011085220001	spacer Φ6*Φ9*Φ24*5.5	图号图号图号/ Φ6*Φ9*Φ24*5.5	4	0	
13	09011083210000	spacer Φ6*Φ10*5	图号 Φ6*Φ10*5/45图号/图号图号	2	0	
14	12203400371200	nut, fender, rear M6*10	图号图号图号/FB M6*10/图号	4	0	
15	06100052011200	washer plate, fender, rear 1	图号图号图号/37图号/PP图号	4	0	
16	06100053011200	washer plate, fender, rear 2	图号图号图号/37图号/PP图号	4	0	
17	GB/T5787M6*16	bolt, flanged M6*16	图号图号图号M6*16	8	0	
18	GB/96Φ6	flat washer Φ6	图号 Φ6	2	0	
19	12203305371200	bolt, flanged M8*16	图号图号图号图号/FB M8*16	2	0	
20	GB/T5787M6*12	bolt, flanged M6*12	图号图号图号M6*12	2	0	



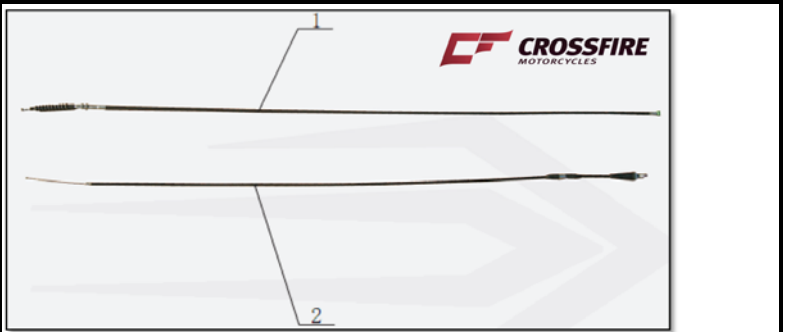
FUEL TANK ASSY.						
Ref. No.	PART No.	DESCRIPTION	图 号	Qty.	Order Qty	
1	GB/T5787M6*30	bolt, flanged M6*30	图号图号图号M6*30	1	0	
2	09011104220000	spacer Φ6.3* Φ10.3* Φ22*17.5	图号 Φ6.3* Φ10.3* Φ22*17.5(图号)	1	0	
3	06100028024100	grommet, round	图号图号/图号/21图号图号	1	0	
4	06100058014100	holder, fuel tank	图号图号图号/37图号/PP图号	1	0	
5	GB/T5787M6*12	bolt, flanged M6*12	图号图号图号M6*12	2	0	
6	06100017011100	cap, breather hose	图号图号/图号/图号图号	1	0	
7	06100032014100	breather hose	图号图号图号	1	0	
8	06003011010000	cap, fuel tank, plastic	油箱盖/塑料	1	0	
8		cap, fuel tank, alloy	油箱盖/铝	1	0	
9	06002221100000	fuel tank	图号/XB-37/HDPE图号/图号图号	1	0	
10	GB/T819M6*12	bolt M6*12	图号图号图号M6*12	1	0	
11	06100026022100	bracket, seat	图号图号/图号	1	0	
12	12202100274200	bolt Φ10*4*M6*8	图号图号图号/FB Φ10*4*M6*8	1	0	
13	06100045014100	strap, fuel tank	图号图号/XB-37/图号图号	1	0	
14	12300110100100	clamp, hose Φ6	图号/ Φ6图号	6	0	
15	06100029014100	hose, fuel 1 (EPA)	油管/橡胶黑色 1/EPA	1	0	
16	GB/T5787M6*16	bolt, flanged M6*16	图号图号图号M6*16	1	0	
17	06040011010200	fuel pet-cock	图号/31/30	1	0	
18	GB/T6187M6	nut, flanged, locking M6	图号图号图号M6	2	0	
19	06100029014100	hose, fuel 2 (EPA)	油管/橡胶黑色 2/EPA	1	0	
20	GB/T5787M6*12	bolt, flanged M6*12	图号图号图号M6*12	1	0	
21	06041011010200	filter, fuel	图号图号/图号/图号图号	1	0	
22	06100029014100	hose, fuel 3 (EPA)	油管/橡胶黑色 3/EPA	1	0	



ELECTRICAL					
Ref. No.	PART No.	DESCRIPTION		Qty.	Order Qty
1	05007010200000	battery 12V, 7AH	05007010200000	1	0
2	05004101000000	solenoid, starter	05004101000000	1	0
3	05008221000400	wiring harness	05008221000400	1	0
4	GB/T70.2M6*16	bolt M6*16	GB/T70.2M6*16	2	0
5	GB/T6187M6	nut, flanged, locking M6	GB/T6187M6	4	0
6	05003203040100	CDI	05003203040100	1	0
7	05005102000100	rectifier	05005102000100	1	0
8	GB/T70.2M6*20	bolt M6*20	GB/T70.2M6*20	2	0
9	05001311100000	Ignition coil	05001311100000	1	0



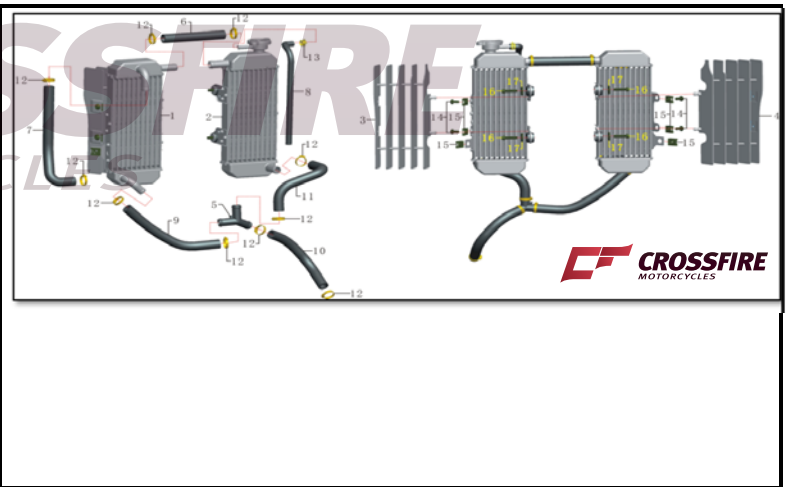
CABLES					
Ref. No.	PART No.	DESCRIPTION		Qty.	Order Qty
2	03020010181010	cable, throttle	03020010181010	1	0
1	03021006122010	cable, clutch	03021006122010	1	0



TOOL KIT					
Ref. No.	PART No.	DESCRIPTION		Qty.	Order Qty
1	10030002000100	tool kit	10030002000100	1	0



RADIATOR ASSY.					
Ref. No.	PART No.	DESCRIPTION		Qty.	Order Qty
1	02020221110000	radiator, LH	02020221110000	1	0
2	02020221110000	radiator, RH	02020221110000	1	0
3	06020061020000	air deflector, RH	06020061020000	1	0
4	06019061020000	air deflector, LH	06019061020000	1	0
5	06100060012100	coupler, hose	06100060012100	1	0
6	02020221110000-1	hose, top, connection 1	02020221110000-1	1	0
7	02020221110000-2	hose, LH, 2	02020221110000-2	1	0
8	02020221110000-3	hose, overflow, 3	02020221110000-3	1	0
9	02020221110000-4	hose, bottom, LH 4	02020221110000-4	1	0
10	02020221110000-5	hose, inlet, 5	02020221110000-5	1	0
11	02020221110000-6	hose, inlet, 6	02020221110000-6	1	0
12	02020221110000-7	clamp, hose 12-22	02020221110000-7	10	0
13	02020221110000-8	clamp, hose	02020221110000-8	1	0
14	GB/T70.2M6*12	bolt M6*12	GB/T70.2M6*12	4	0
15	12200600371200	nut M6	12200600371200	6	0
16	GB/T5787M6*25	bolt, flanged M6*25	GB/T5787M6*25	4	0
17	GB/96D6	flat washer D6	GB/96D6	4	0



GRAPHICS KIT					
Ref. No.	PART No.	DESCRIPTION		Qty.	Order Qty
1	10010008280011	sticker kit (513 - JAPAN)	10010008280011	1	0
2		sticker kit (3M)		1	0



All information in this offer sheet shall not be in any way copied or reproduced without the written consent from Crossfire Motorcycles.  
**PRICES SUBJECT TO CHANGE WITHOUT PRIOR NOTICE**